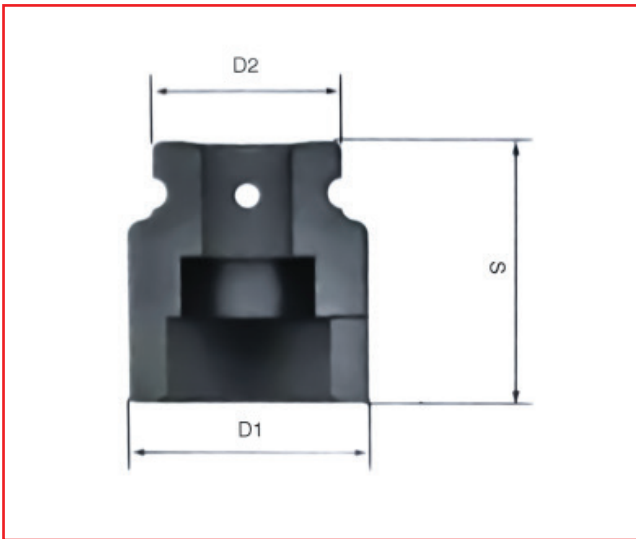


6 Point Heavy Duty Impact Socket

HSS PRECISION TOOLS have 6 Point for good grip on nuts to avoid tools slipping during high speed tightening operations. Its extra wall thickness together with special steel and heat treatment process helps absorb the shock transmitted to sockets while in use with impact wrenches.

Using impact sockets helps to achieve optimal tool efficiency but most importantly, ensures safety in the workspace. They are specifically designed to withstand the vibration and shock of each impact, preventing cracks or breaks, thereby prolonging the life of the socket and avoiding damage to the tool's anvil



3/8" Square Drive Heavy Duty Impact Socket

Part No	A/F mm	D1	D2	STD
HST-101	8	14	21	30
HST-102	10	16	21	30
HST-103	11	18	21	30
HST-104	12	19	21	30
HST-105	13	20	21	30
HST-106	14	22	22	30
HST-107	15	23	22	32
HST-108	16	25	22	32
HST-109	17	26	25	32
HST-110	18	27	25	32
HST-111	19	28	25	32
HST-112	20	29	25	32
HST-113	21	30	25	34
HST-114	22	31	25	34

Part No	A/F mm	D1	D2	DEEP
HDP-201	8	14	21	60
HDP-202	10	16	21	60
HDP-203	11	18	21	60
HDP-204	12	19	21	60
HDP-205	13	20	21	60
HDP-206	14	22	22	60
HDP-207	15	23	22	60
HDP-208	16	25	22	60
HDP-209	17	26	25	60
HDP-210	18	27	25	60
HDP-211	19	28	25	60
HDP-212	20	29	25	60
HDP-213	21	30	25	60
HDP-214	22	31	25	60

1/2" Square Drive Heavy Duty Impact Socket

Part No	A/F mm	D1	D2	STD
HST-115	8	16	26	38
HST-116	10	17	26	38
HST-117	11	19	26	38
HST-118	12	20	26	38
HST-119	13	22	26	38
HST-120	14	23	26	38
HST-121	15	24	27	38
HST-122	16	26	27	38
HST-123	17	27	27	38
HST-124	18	29	30	40
HST-125	19	30	30	40
HST-126	20	32	30	40
HST-127	21	33	30	40
HST-128	22	35	30	40
HST-129	23	36	30	42
HST-130	24	38	36	42
-	-	41	36	42
HST-131	27	42	36	45
-	-	46	36	45
HST-132	30	46	36	45
HST-133	32	48	36	46
-	-	55	36	51
-	-	56	36	53

Part No	A/F mm	D1	D2	DEEP
HDP-215	8	16	26	80
HDP-216	10	17	26	80
HDP-217	11	19	26	80
HDP-218	12	20	26	80
HDP-219	13	22	26	80
HDP-220	14	23	26	80
HDP-221	15	24	27	80
HDP-222	16	26	27	80
HDP-223	17	27	27	80
HDP-224	18	29	30	80
HDP-225	19	30	30	80
HDP-226	20	32	30	80
HDP-227	21	33	30	80
HDP-228	22	35	30	80
HDP-229	22	36	30	80
HDP-230	24	38	36	80
-	-	41	36	80
HDP-231	27	42	36	80
-	-	46	36	80
HDP-232	30	46	36	80
HDP-233	32	48	36	80
-	-	55	36	80
-	-	56	36	80

3/4" Square Drive Heavy Duty Impact Socket

Part No	A/F mm	D1	D2	STD
-	-	28	44	48
-	-	30	44	48
HST-134	17	32	44	48
HST-135	19	34	44	48
-	-	36	44	50
HST-136	22	38	44	50
HST-137	24	42	44	50
-	-	43	44	50
HST-138	27	44	44	50
-	-	48	44	50
HST-139	30	48	44	50
HST-140	32	52	44	55
-	-	53	44	55
-	-	55	44	55
HST-141	36	55	44	60
HST-142	38	59	44	60
-	41	66	44	66
-	-	68	44	66
HST-143	46	72	54	66
-	-	74	60	68
-	-	76	60	70
HST-144	50	76	60	70
-	-	78	60	74
HST-145	55	84	60	74
-	-	84	70	74
HST-146	60	88	70	76

Part No	A/F mm	D1	D2	DEEP
-	-	28	44	90
-	-	30	44	90
HDP-234	17	32	44	90
HDP-235	19	34	44	90
-	-	36	44	90
HDP-236	22	38	44	90
HDP-237	24	42	44	90
-	-	43	44	90
HDP-238	27	44	44	90
-	-	48	44	90
HDP-239	30	48	44	90
HDP-240	32	52	44	90
-	-	53	44	90
-	-	55	44	90
HDP-241	36	55	44	90
HDP-242	38	59	44	90
-	41	66	44	90
-	-	68	44	90
HDP-243	46	72	54	100
-	-	74	60	100
-	-	76	60	100
HDP-244	50	76	60	100
-	-	78	60	110
HDP-245	55	84	60	110
-	-	84	70	120
HDP-246	60	88	70	120

1" Square Drive Heavy Duty Impact Socket

Part No	A/F mm	D1	D2	STD
HST-147	19	38	54	63
-	-	38	54	63
HST-148	22	40	54	63
HST-149	24	42	54	63
-	-	44	54	63
HST-150	27	46	54	63
-	-	49	54	63
HST-151	30	50	54	63
HST-152	32	52	54	63
-	-	54	54	63
-	-	56	54	66
HST-153	36	58	54	66
HST-154	38	62	54	66
-	-	65	54	68
HST-155	41	67	54	68
-	-	67	54	68
-	-	72	54	74
HST-156	46	74	54	74
-	-	74	54	74
-	-	75	70	76
HST-157	50	77	70	76
-	-	77	70	76
HST-158	55	86	70	78
-	-	86	70	78
HST-159	60	90	70	81
-	-	90	70	81
HST-160	65	98	80	85

Part No	A/F mm	D1	D2	DEEP
HDP-247	19	38	54	110
-	-	38	54	110
HDP-248	22	40	54	110
HDP-249	24	42	54	110
-	-	44	54	110
HDP-250	27	46	54	110
-	-	49	54	110
HDP-251	30	50	54	110
HDP-252	32	52	54	110
-	-	54	54	110
-	-	56	54	110
HDP-253	36	58	54	110
HDP-254	38	62	54	110
-	-	65	54	110
HDP-255	41	67	54	110
-	-	67	54	110
-	-	72	54	110
HDP-256	46	74	54	110
-	-	74	54	110
-	-	75	70	110
HDP-257	50	77	70	110
-	-	77	70	120
HDP-258	55	86	70	120
-	-	86	70	120
HDP-259	60	90	70	120
-	-	90	70	120
HDP-260	65	98	80	120

1" Square Drive Heavy Duty Impact Socket

Part No	A/F mm	D1	D2	STD
-	-	54	86	80
-	-	58	86	80
-	-	64	86	80
HST-165	36	64	86	80
HST-166	38	69	86	80
-	-	69	86	80
HST-167	41	69	86	83
-	-	69	86	83
-	-	69	86	83
HST-168	46	76	86	86
-	-	76	86	86
HST-169	50	81	86	90
-	-	81	86	90
HST-170	55	88	86	95
-	-	88	86	95
HST-171	60	96	86	98
-	-	96	86	98
HST-172	65	102	86	102
-	-	102	86	102
HST-173	70	108	86	102
-	-	108	86	102
HST-174	75	116	86	108
-	-	116	86	108
HST-175	80	120	86	110
HST-176	85	130	100	115
HST-177	90	135	100	118
HST-178	95	140	125	123

Part No	A/F mm	D1	D2	DEEP
-	-	54	86	130
-	-	58	86	130
-	-	64	86	130
HDP-265	36	64	86	130
HDP-266	38	69	86	130
-	-	69	86	130
HDP-267	41	69	86	130
-	-	69	86	130
-	-	69	86	130
HDP-268	46	76	86	130
-	-	76	86	130
HDP-269	50	81	86	130
-	-	81	86	140
HDP-270	55	88	86	140
-	-	88	86	140
HDP-271	60	96	86	140
-	-	96	86	140
HDP-272	65	102	86	140
-	-	102	86	140
HDP-273	70	108	86	150
-	-	108	86	150
HDP-274	75	116	86	150
-	-	116	86	150
HDP-275	80	120	86	150
HDP-276	85	130	100	170
HDP-277	90	135	100	170
HDP-278	95	140	125	170

2-1/2" Square Drive Heavy Duty Impact Socket

Part No	A/F mm	D1	D2	STD
HST-184	60	120	125	120
HST-	65	125	125	120
HST-	70	130	130	120
HST-	75	130	130	130
-	-	135	130	140
HST-	80	135	130	140
HST-	85	140	130	140
HST-	90	145	130	140
-	-	145	130	140
HST-	95	155	130	150
-	-	155	130	150
HST-	100	158	130	150
HST-	105	165	130	160
HST-	110	174	150	160
HST-	115	178	150	170
-	-	180	150	175
HST-	120	185	150	175
-	-	185	150	175
-	-	195	150	175
HST-	130	195	150	175
HST-	135	205	150	180
HST-	145	220	150	180
HST-	150	230	180	190
HST-	155	230	180	190
HST-	160	240	180	190
HST-	165	240	180	200
HST-	175	255	180	200

Part No	A/F mm	D1	D2	DEEP
HDP-284	60	120	125	190
HDP-	65	125	125	190
HDP-	70	130	130	190
HDP-	75	130	130	190
-	-	135	130	190
HDP-	80	135	130	190
HDP-	85	140	130	190
HDP-	90	145	130	190
-	-	145	130	190
HDP-	95	155	130	190
-	-	155	130	190
HDP-	100	158	130	200
HDP-	105	165	130	200
HDP-	110	174	150	210
HDP-	115	178	150	210
-	-	180	150	220
HDP-	120	185	150	220
-	-	185	150	220
-	-	195	150	220
HDP-	130	195	150	220
HDP-	135	205	150	220
HDP-	145	220	150	230
HDP-	150	230	180	250
HDP-	155	230	180	250
HDP-	160	240	180	-
HDP-	165	240	180	-
HDP-	175	255	180	-